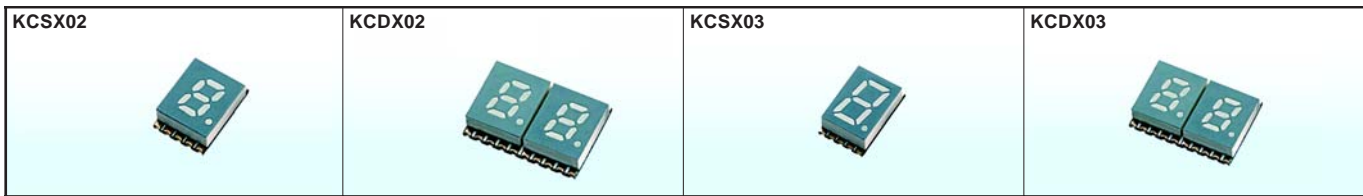


Kingbright

2007-2009

- P 2-4 | SMD NUMERIC DISPLAYS
- P 5-6 | SMD DISPLAY TAPE SPECIFICATIONS
- P 7 | RECOMMENDED SOLDERING PATTERN



Part No.		Package Description	Material	λ D (nm)	Iv (ucd) @10mA		Package Dimension
Common Anode	Common Cathode				Min.	Typ.	
KCSA02-101 KCDA02-101	KCSC02-101 KCDC02-101	0.2 inch (5.08mm) Gray Face White Segment	GaAsP/GaP	625	1200	5800	1,2
KCSA02-105 KCDA02-105	KCSC02-105 KCDC02-105		InGaAlP	635	8000	30400	
KCSA02-106 KCDA02-106	KCSC02-106 KCDC02-106		InGaAlP	601	8000	37200	
KPSA02-103 KPDA02-103	KCSC02-103 KCDC02-103		GaAsP/GaP	588	480	1900	
KCSA02-107 KCDA02-107	KCSC02-107 KCDC02-107		InGaAlP	590	8000	34000	
KCSA02-102 KCDA02-102	KCSC02-102 KCDC02-102		GaP	568	1900	10000	
KCSA02-138 KCDA02-138	KCSC02-138 KCDC02-138		InGaN	525	8000	30000	
KCSA02-123 KCDA02-123	KCSC02-123 KCDC02-123		InGaAlP	570	4700	26000	
KCSA02-109 KCDA02-109	KCSC02-109 KCDC02-109		GaN	466	800	3700	
KCSA02-136 KCDA02-136	KCSC02-136 KCDC02-136		InGaN	470	1200	5000	
KCSA03-101 KCDA03-101	KCSC03-101 KCDC03-101	0.3 inch (7.62mm) Gray Face White Segment	GaAsP/GaP	625	1200	4210	3,4
KCSA03-104 KCDA03-104	KCSC03-104 KCDC03-104		GaAlAs	640	4700	19000	
KPSA03-105 KPDA03-105	KCSC03-105 KCDC03-105		InGaAlP	635	8000	27000	
KCSA03-106 KCDA03-106	KCSC03-106 KCDC03-106		InGaAlP	601	12000	46000	
KCSA03-103 KCDA03-103	KCSC03-103 KCDC03-103		GaAsP/GaP	588	480	2290	
KCSA03-107 KCDA03-107	KCSC03-107 KCDC03-107		InGaAlP	590	8000	35400	
KCSA03-102 KCDA03-102	KCSC03-102 KCDC03-102		GaP	568	1200	5600	
KCSA03-138 KCDA03-138	KCSC03-138 KCDC03-138		InGaN	525	18000	54000	
KCSA03-123 KCDA03-123	KCSC03-123 KCDC03-123		InGaAlP	570	1900	11000	
KCSA03-109 KCDA03-109	KCSC03-109 KCDC03-109		GaN	466	1200	5000	
KCSA03-136 KCDA03-136	KCSC03-136 KCDC03-136	InGaN	470	1200	6000		

NOTES:

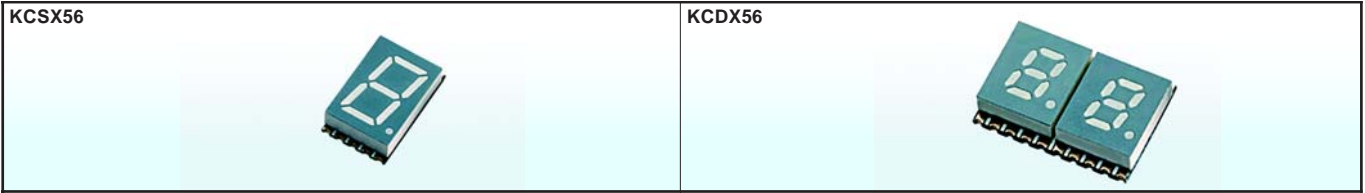
1. All dimensions are in millimeters(inches).
2. Tolerance is ±0.25mm(0.01") unless otherwise noted.



Part No.		Package Description	Material	λ D (nm)	Iv (ucd) @10mA		Package Dimension
Common Anode	Common Cathode				Min.	Typ.	
KCSA04-101 KCDA04-101	KCSC04-101 KCDC04-101	0.4 inch (10.16mm) Gray Face White Segment	GaAsP/GaP	625	1200	5000	5,6
KCSA04-104 KCDA04-104	KCSC04-104 KCDC04-104		GaAlAs	640	4700	18000	
KCSA04-105 KCDA04-105	KCSC04-105 KCDC04-105		InGaAlP	635	8000	26000	
KCSA04-106 KCDA04-106	KCSC04-106 KCDC04-106		InGaAlP	601	12000	41200	
KCSA04-103 KCDA04-103	KCSC04-103 KCDC04-103		GaAsP/GaP	588	480	2500	
KCSA04-107 KCDA04-107	KCSC04-107 KCDC04-107		InGaAlP	590	12000	49000	
KCSA04-102 KCDA04-102	KCSC04-102 KCDC04-102		GaP	568	1900	7000	
KCSA04-138 KCDA04-138	KCSC04-138 KCDC04-138		InGaN	525	18000	55000	
KCSA04-123 KCDA04-123	KCSC04-123 KCDC04-123		InGaAlP	570	4700	17400	
KCSA04-109 KCDA04-109	KCSC04-109 KCDC04-109		GaN	466	800	3600	
KCSA04-136 KCDA04-136	KCSC04-136 KCDC04-136		InGaN	470	1200	4700	
KCPSA04-101 KCPDA04-101	KCPSC04-101 KCPDC04-101		0.4 inch (10.16mm) Gray Face White Segment	GaAsP/GaP	625	800	
KCPSA04-104 KCPDA04-104	KCPSC04-104 KCPDC04-104	GaAlAs		640	4700	16200	
KCPSA04-105 KCPDA04-105	KCPSC04-105 KCPDC04-105	InGaAlP		635	4700	22800	
KCPSA04-106 KCPDA04-106	KCPSC04-106 KCPDC04-106	InGaAlP		601	12000	44000	
KCPSA04-103 KCPDA04-103	KCPSC04-103 KCPDC04-103	GaAsP/GaP		588	800	3400	
KCPSA04-107 KCPDA04-107	KCPSC04-107 KCPDC04-107	InGaAlP		590	12000	45500	
KCPSA04-102 KCPDA04-102	KCPSC04-102 KCPDC04-102	GaP		568	1900	7500	
KCPSA04-138 KCPDA04-138	KCPSC04-138 KCPDC04-138	InGaN		525	18000	70000	
KCPSA04-123 KCPDA04-123	KCPSC04-123 KCPDC04-123	InGaAlP		570	4700	18500	
KCPSA04-109 KCPDA04-109	KCPSC04-109 KCPDC04-109	GaN		466	800	3800	
KCPSA04-136 KCPDA04-136	KCPSC04-136 KCPDC04-136	InGaN		470	800	2900	

NOTES:

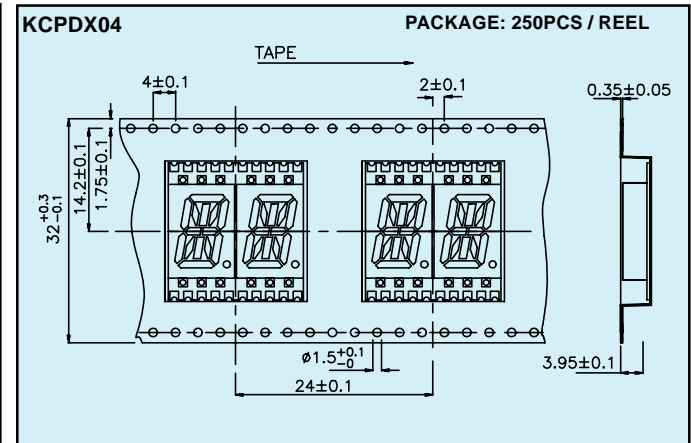
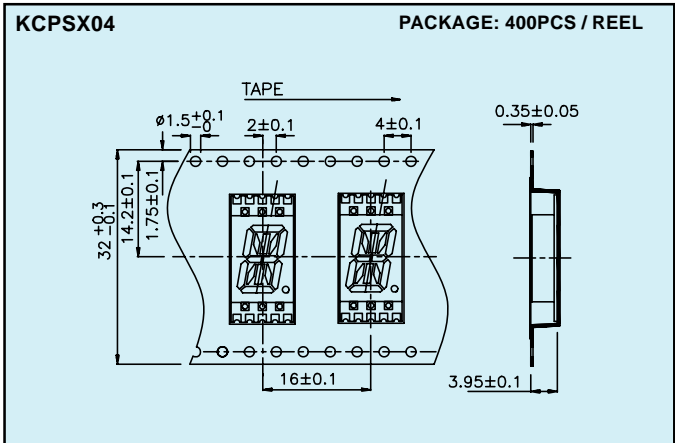
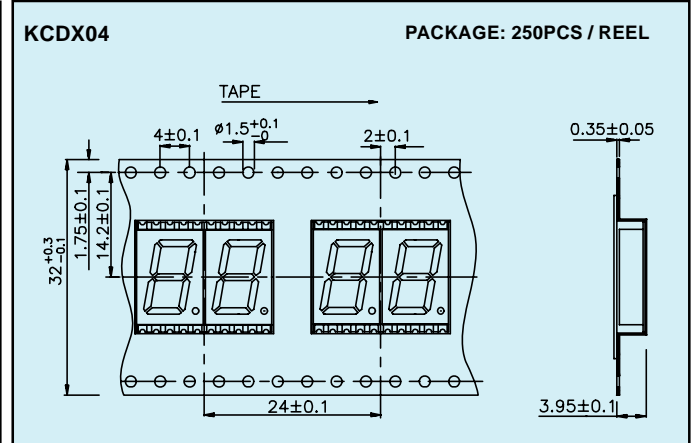
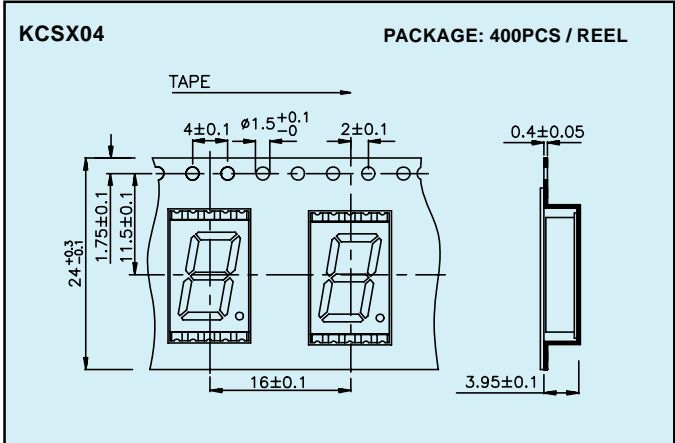
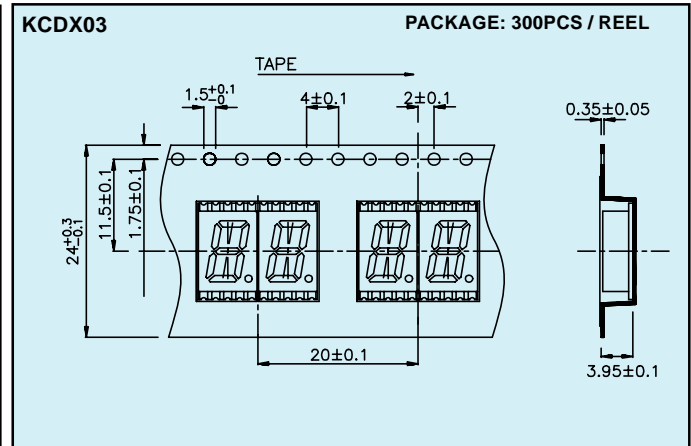
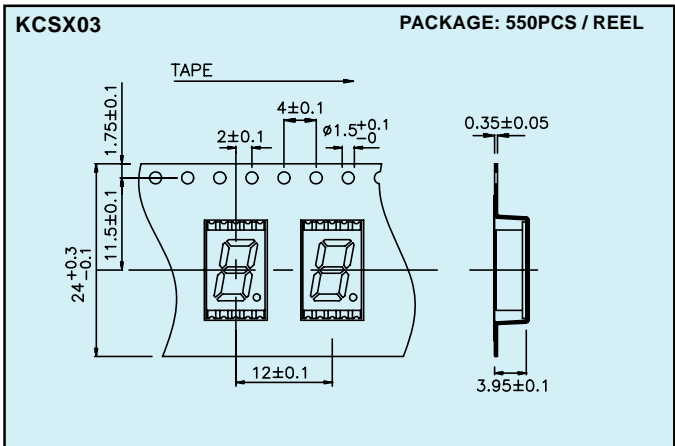
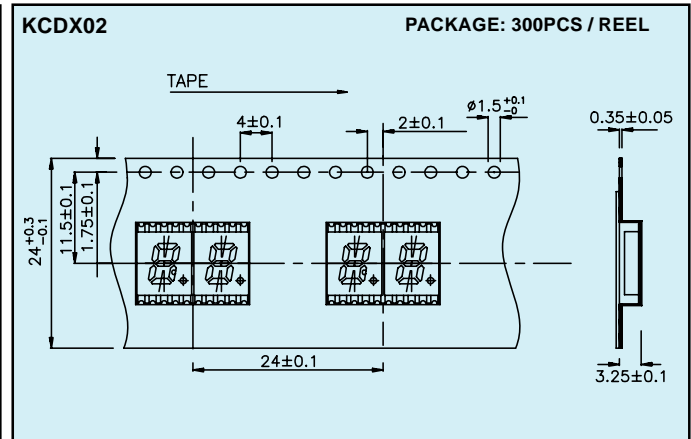
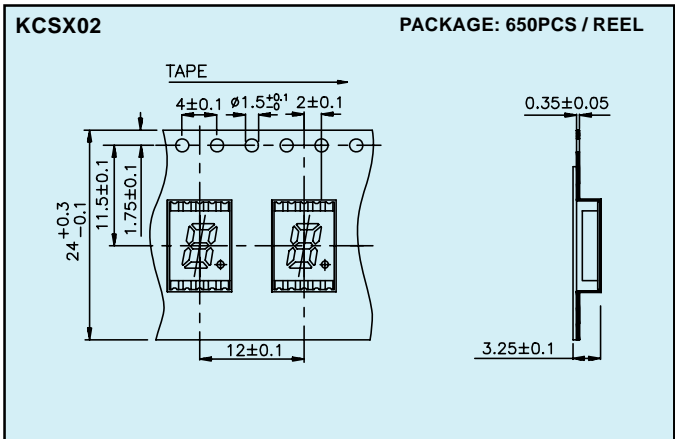
1. All dimensions are in millimeters(inches).
2. Tolerance is ±0.25mm(0.01") unless otherwise noted.



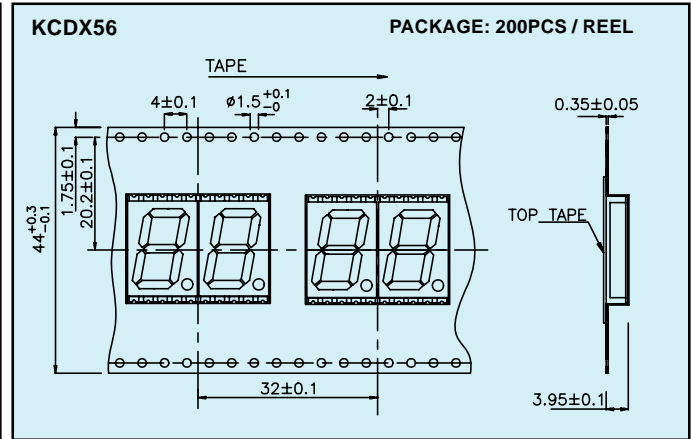
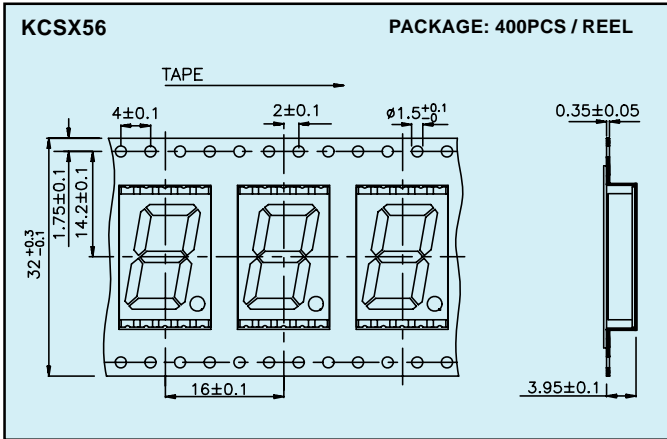
Part No.		Package Description	Material	λ D (nm)	Iv (ucd) @10mA		Package Dimension
Common Anode	Common Cathode				Min.	Typ.	
KCSA56-101 KCDA56-101	KCSC56-101 KCDC56-101	0.56 inch (14.22mm) Gray Face White Segment	GaAsP/GaP	625	1200	7400	9,10
KCSA56-104 KCDA56-104	KCSC56-104 KCDC56-104		GaAlAs	640	8000	26000	
KCSA56-105 KCDA56-105	KCSC56-105 KCDC56-105		InGaAlP	635	4700	30000	
KCSA56-106 KCDA56-106	KCSC56-106 KCDC56-106		InGaAlP	601	12000	50000	
KCSA56-103 KCDA56-103	KCSC56-103 KCDC56-103		GaAsP/GaP	588	1200	5000	
KCSA56-107 KCDA56-107	KCSC56-107 KCDC56-107		InGaAlP	590	18000	76000	
KCSA56-102 KCDA56-102	KCSC56-102 KCDC56-102		GaP	568	3000	13200	
KCSA56-138 KCDA56-138	KCSC56-138 KCDC56-138		InGaN	525	26000	120000	
KCSA56-123 KCDA56-123	KCSC56-123 KCDC56-123		InGaAlP	570	8000	35500	
KCSA56-109 KCDA56-109	KCSC56-109 KCDC56-109		GaN	466	1200	5200	
KCSA56-136 KCDA56-136	KCSC56-136 KCDC56-136		InGaN	470	1900	9000	

NOTES:

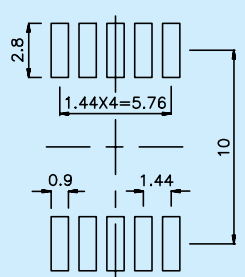
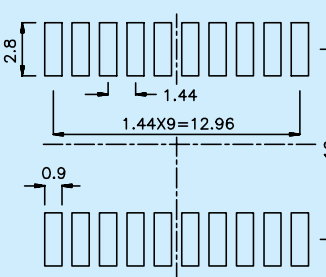
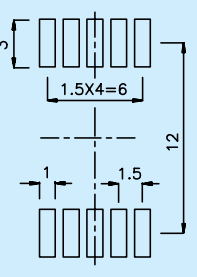
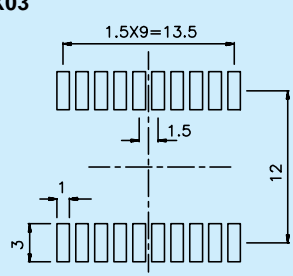
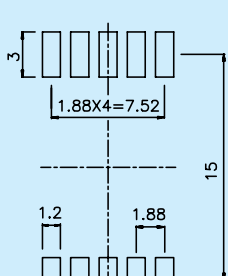
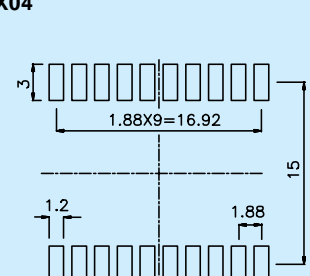
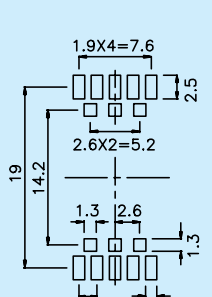
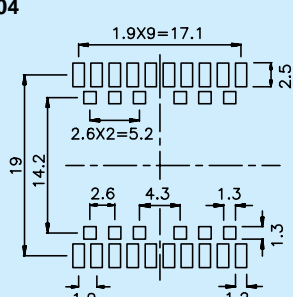
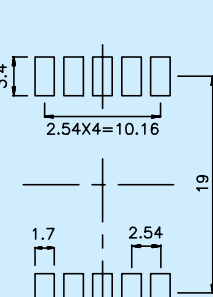
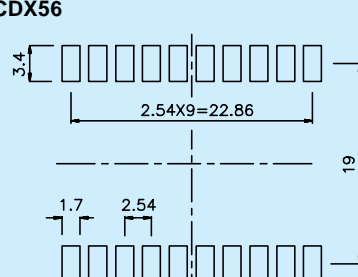
1. All dimensions are in millimeters(inches).
2. Tolerance is ±0.25mm(0.01") unless otherwise noted.



NOTE:
1. All dimensions are in millimeters



NOTE:
1. All dimensions are in millimeters.

<p>KCSX02</p> 	<p>KCDX02</p> 	<p>KCSX03</p> 
<p>KCDX03</p> 	<p>KCSX04</p> 	<p>KCDX04</p> 
<p>KCPSX04</p> 	<p>KCPDX04</p> 	<p>KCSX56</p> 
<p>KCDX56</p> 		

NOTES:

1. All dimensions are in millimeters.
2. Tolerance is $\pm 0.15\text{mm}$ unless otherwise noted.